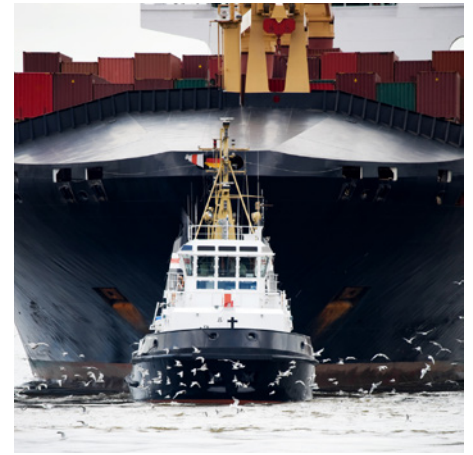


# SFBO Series

Single Fuel Filters  
Max. 90 l/min. 10 bar



## Durable fuel filter to fulfil IMO SOLAS requirements.

The new SFBO single filter brings Parker FBO to engine room environment. SFBO housing comprises of a cast iron head and a steel bowl which means it can be used in Marine applications where aluminium is banned.

SFBO comes with two bowl lengths allowing diesel flow rates up to 90 l/min. Depending on the element inside the unit can be used as a prefilter, a water separator/particle filter or a water absorptive filter. Easy service, no special tools are required.



## Contact Information:

Parker Hannifin  
**Hydraulic Filter Division Europe**

**European Product  
Information Centre**  
Freephone: 00800 27 27 5374  
(from AT, BE, CH, CZ, DE, EE, ES,  
FI, FR, IE, IT, PT, SE, SK, UK)  
filtrationinfo@parker.com

[www.parker.com/hfde](http://www.parker.com/hfde)

## Applications:

- Primary fuel/water separator on fuel pump suction line
- Secondary fuel/water separator on fuel pump pressure line
- Fuel condition modules
- Marine fuel docks
- Diesel fuel dispensing systems
- Fuel transfer lines



ENGINEERING YOUR SUCCESS.

## Specification

### Single filter:

In-line assembly with connections on both right-hand side and left-hand side (plugged).

Manual vent and drain valves.

### Maximum operating pressure:

10 bar

### Connections:

Threaded ports G1, NPT 1" and M33 x 2.

Connections on both sides of the housing. Left-hand side (LHS) connection plugged with steel plugs.

### Seal material:

Fluoroelastomer

### Operating temperature:

0°C...+60°C, for other temperatures consult Parker Filtration.

### Housing material:

Head material cast iron, bowl material steel.

### Weight:

18,5 kg / 20 kg

### Nominal flow rate (3 cSt):

SFBO-10: 70 l/min (4.2 m<sup>3</sup>/h)

SFBO-14: 90 l/min (5.4 m<sup>3</sup>/h)

### Bypass valve:

No bypass

### Indicators:

No indicator is standard. As option there is a vacuum gauge with yellow starting from -24 kPa (-0.24 bar) and red from -34 kPa (-0,34 bar) and differential pressure indicator with red from -34 kPa (-0,34 bar). Options on water level in the bowl detection are a sight glass or an electric water level probe.

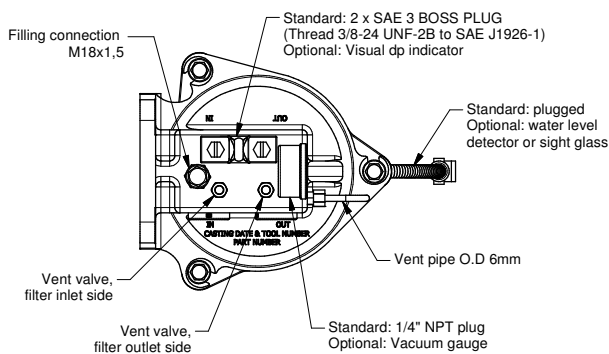
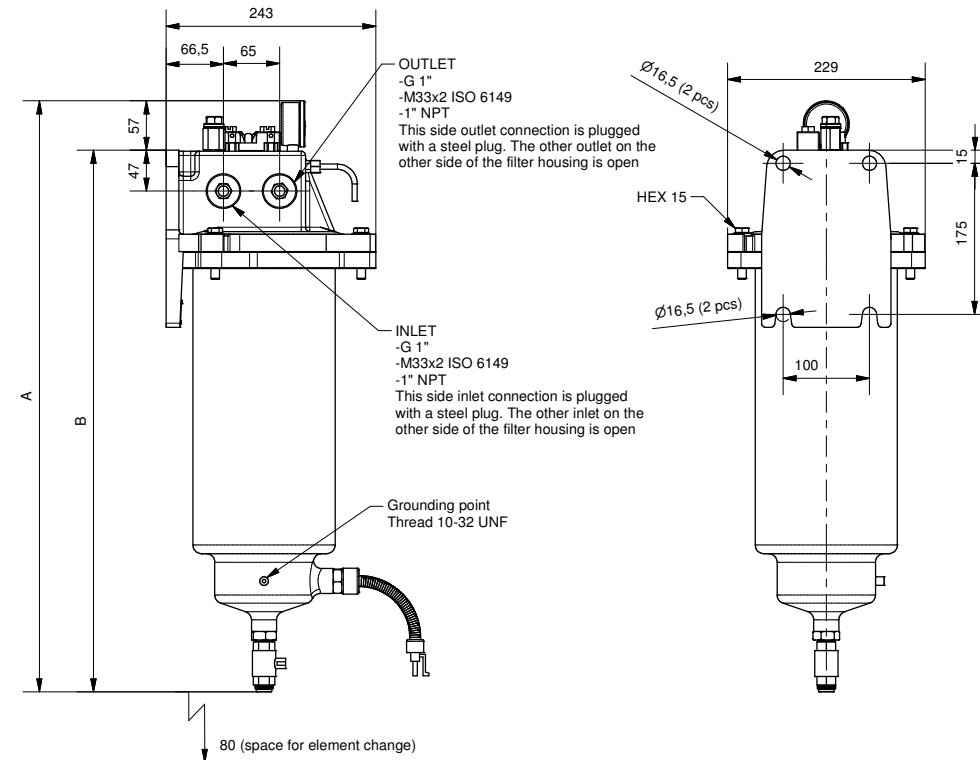
### Filter elements:

Filter separator elements with micron ratings 1 µm, 5 µm, 10 µm and 25 µm remove water and contaminants from fuel.

Other types of FBO elements are available, see replacement element table on the following page.

### Fluid compatibility:

Suitable for use with diesel fuel, jet fuel, gasoline, kerosene, JP4, JP5 and JP8.



SFBO			
Bowl	A	B	Weight
10"	582	525	18,5
14"	684	627	20

## Product Description for SFBO

### Complete Filter:

Table 1	Table 2	Table 3	Table 4	Table 5	Table 6	Table 7	Table 8
---------	---------	---------	---------	---------	---------	---------	---------

Table 1

FILTER TYPE	
Model	CODE
Single filter	<b>SFBO</b>

Table 2

FILTER SIZE	
Element length	CODE
Length 10"	<b>10</b>
Length 14"	<b>14</b>

Table 3

MICRON RATING	
Filter separator element	CODE
Rating 1 µm	01FS
Rating 5 µm	05FS
Rating 10 µm	<b>10FS</b>
Rating 25 µm	25FS

Table 4

SEAL TYPE	
Seal material	CODE
Fluoroelastomer	<b>V</b>

Table 5

INDICATORS	
Options	CODE
Indicator port plugged	<b>P</b>
Vacuum gauge in outlet side *)	<b>A</b>
Differential pressure indicator *)	<b>D</b>

\*) If both options are selected, please add the codes in order listed above.

Table 6

INDICATOR SETTING	
Options	CODE
No indicator	<b>X</b>
1,0 bar (15 psi)	<b>F</b>

Table 7

FILTER CONNECTIONS	
Port size	CODE
Threaded ports G1 on RHS	<b>G16</b>
Threaded ports NPT 1" on RHS	<b>N16</b>
Threaded ports M33 x 2 on RHS	<b>M33</b>

Connections on LHS plugged with a steel plugs.

Table 8

OPTIONS	
Options	CODE
Standard	<b>1</b>
Sight level glass in bowl	<b>SG</b>
Water level probe in bowl	<b>WP</b>

If several options are selected, please add the codes in order listed above.

Max flow rate (l/m) with diesel fuel 3 cSt	1 micron	5 micron	10 micron	25 micron
<b>SFBO-10</b>	<b>01FS</b>	<b>05FS</b>	<b>10FS</b>	<b>25SF</b>
Vacuum side	15	25	45	45
Pressure side	20	35	70	70
<b>SFBO-14</b>	<b>01FS</b>	<b>05FS</b>	<b>10FS</b>	<b>25FS</b>
Vacuum side	20	30	60	60
Pressure side	30	45	90	90

All FBO elements fit in SFBO filter. Check the suitable replacement element from this table.

Element	Micron	Filter Separator	Pre-Filter	Water Absorber
<b>FBO-10</b>	1	FBO 60327	FBO 60330	FBO 60333
	5	FBO 60328	FBO 60331	FBO 60334
	10	FBO 60353	FBO 60354	FBO 60355
	25	FBO 60329	FBO 60332	FBO 60335
<b>FBO-14</b>	1	FBO 60336	FBO 60339	FBO 60342
	5	FBO 60337	FBO 60340	FBO 60343
	10	FBO 60356	FBO 60357	FBO 60358
	25	FBO 60338	FBO 60341	FBO 60344

# Parker Worldwide

## Europe, Middle East, Africa

**AE – United Arab Emirates,**  
Dubai

Tel: +971 4 8127100  
parker.me@parker.com

**AT – Austria,** Wiener Neustadt

Tel: +43 (0)2622 23501-0  
parker.austria@parker.com

**AT – Eastern Europe,** Wiener  
Neustadt

Tel: +43 (0)2622 23501 900  
parker.easteurope@parker.com

**AZ – Azerbaijan,** Baku

Tel: +994 50 2233 458  
parker.azerbaijan@parker.com

**BE/LU – Belgium,** Nivelles

Tel: +32 (0)67 280 900  
parker.belgium@parker.com

**BG – Bulgaria,** Sofia

Tel: +359 2 980 1344  
parker.bulgaria@parker.com

**BY – Belarus,** Minsk

Tel: +375 17 209 9399  
parker.belarus@parker.com

**CH – Switzerland,** Etoy

Tel: +41 (0)21 821 87 00  
parker.switzerland@parker.com

**CZ – Czech Republic,** Klecany

Tel: +420 284 083 111  
parker.czechrepublic@parker.com

**DE – Germany,** Kaarst

Tel: +49 (0)2131 4016 0  
parker.germany@parker.com

**DK – Denmark,** Ballerup

Tel: +45 43 56 04 00  
parker.denmark@parker.com

**ES – Spain,** Madrid

Tel: +34 902 330 001  
parker.spain@parker.com

**FI – Finland,** Vantaa

Tel: +358 (0)20 753 2500  
parker.finland@parker.com

**FR – France,** Contamine s/Arve

Tel: +33 (0)4 50 25 80 25  
parker.france@parker.com

**GR – Greece,** Athens

Tel: +30 210 933 6450  
parker.greece@parker.com

**HU – Hungary,** Budaörs

Tel: +36 23 885 470  
parker.hungary@parker.com

**IE – Ireland,** Dublin

Tel: +353 (0)1 466 6370  
parker.ireland@parker.com

**IT – Italy,** Corsico (MI)

Tel: +39 02 45 19 21  
parker.italy@parker.com

**KZ – Kazakhstan,** Almaty

Tel: +7 7273 561 000  
parker.easteurope@parker.com

**NL – The Netherlands,** Oldenzaal

Tel: +31 (0)541 585 000  
parker.nl@parker.com

**NO – Norway,** Asker

Tel: +47 66 75 34 00  
parker.norway@parker.com

**PL – Poland,** Warsaw

Tel: +48 (0)22 573 24 00  
parker.poland@parker.com

**PT – Portugal,** Leca da Palmeira

Tel: +351 22 999 7360  
parker.portugal@parker.com

**RO – Romania,** Bucharest

Tel: +40 21 252 1382  
parker.romania@parker.com

**RU – Russia,** Moscow

Tel: +7 495 645-2156  
parker.russia@parker.com

**SE – Sweden,** Spånga

Tel: +46 (0)8 59 79 50 00  
parker.sweden@parker.com

**SK – Slovakia,** Banská Bystrica

Tel: +421 484 162 252  
parker.slovakia@parker.com

**SL – Slovenia,** Novo Mesto

Tel: +386 7 337 6650  
parker.slovenia@parker.com

**TR – Turkey,** Istanbul

Tel: +90 216 4997081  
parker.turkey@parker.com

**UA – Ukraine,** Kiev

Tel: +380 44 494 2731  
parker.ukraine@parker.com

**UK – United Kingdom,** Warwick

Tel: +44 (0)1926 317 878  
parker.uk@parker.com

**ZA – South Africa,** Kempton Park

Tel: +27 (0)11 961 0700  
parker.southafrica@parker.com

## North America

**CA – Canada,** Milton, Ontario

Tel: +1 905 693 3000

**US – USA,** Cleveland

Tel: +1 216 896 3000

## Asia Pacific

**AU – Australia,** Castle Hill

Tel: +61 (0)2-9634 7777

**CN – China,** Shanghai

Tel: +86 21 2899 5000

**HK – Hong Kong**

Tel: +852 2428 8008

**IN – India,** Mumbai

Tel: +91 22 6513 7081-85

**JP – Japan,** Tokyo

Tel: +81 (0)3 6408 3901

**KR – South Korea,** Seoul

Tel: +82 2 559 0400

**MY – Malaysia,** Shah Alam

Tel: +60 3 7849 0800

**NZ – New Zealand,** Mt Wellington

Tel: +64 9 574 1744

**SG – Singapore**

Tel: +65 6887 6300

**TH – Thailand,** Bangkok

Tel: +662 186 7000-99

**TW – Taiwan,** Taipei

Tel: +886 2 2298 8987

## South America

**AR – Argentina,** Buenos Aires

Tel: +54 3327 44 4129

**BR – Brazil,** Sao Jose dos Campos

Tel: +55 800 727 5374

**CL – Chile,** Santiago

Tel: +56 2 623 1216

**MX – Mexico,** Toluca

Tel: +52 72 2275 4200

European Product Information Centre

Free phone: 00 800 27 27 5374

(from AT, BE, CH, CZ, DE, DK, EE, ES, FI,  
FR, IE, IL, IS, IT, LU, MT, NL, NO, PL, PT, RU,  
SE, SK, UK, ZA)

## Parker Hannifin Manufacturing Finland Oy

Hydraulic Filter Division Europe

Salmentie 260

FI-31700 Urjala As., Finland

Tel: +358 (0)20 753 2500

Fax: +358 (0)20 753 2501

e-mail: filtration.finland@parker.com

